

ORIGINAL : ENGLISH

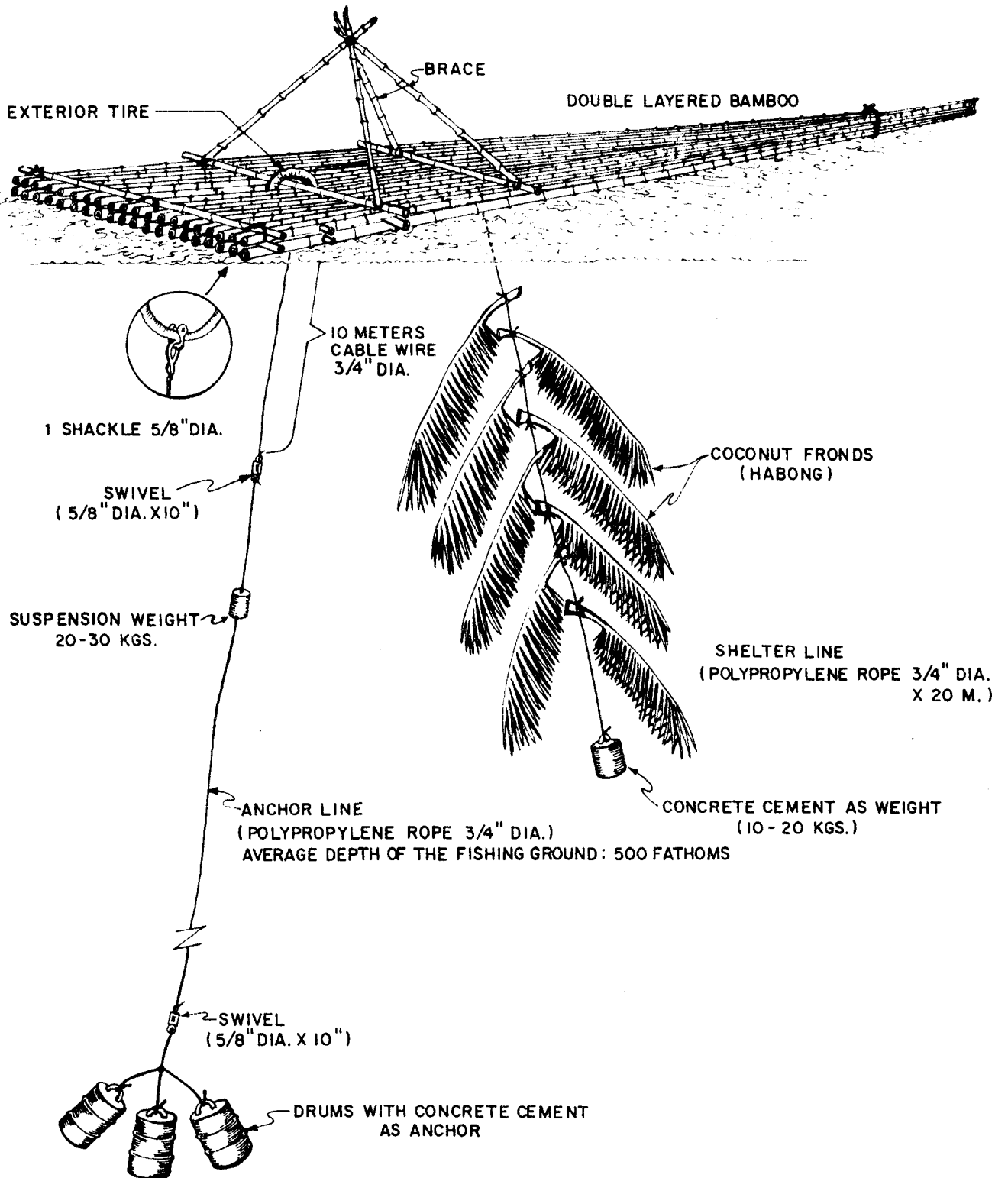
SOUTH PACIFIC COMMISSION

FOURTEENTH REGIONAL TECHNICAL MEETING ON FISHERIES
(Noumea, New Caledonia, 2 - 6 August 1982)

FOLIO OF CURRENT FAD DESIGNS

(these drawings are offered merely to
assist discussion under agenda item 7)

FIGURE 1

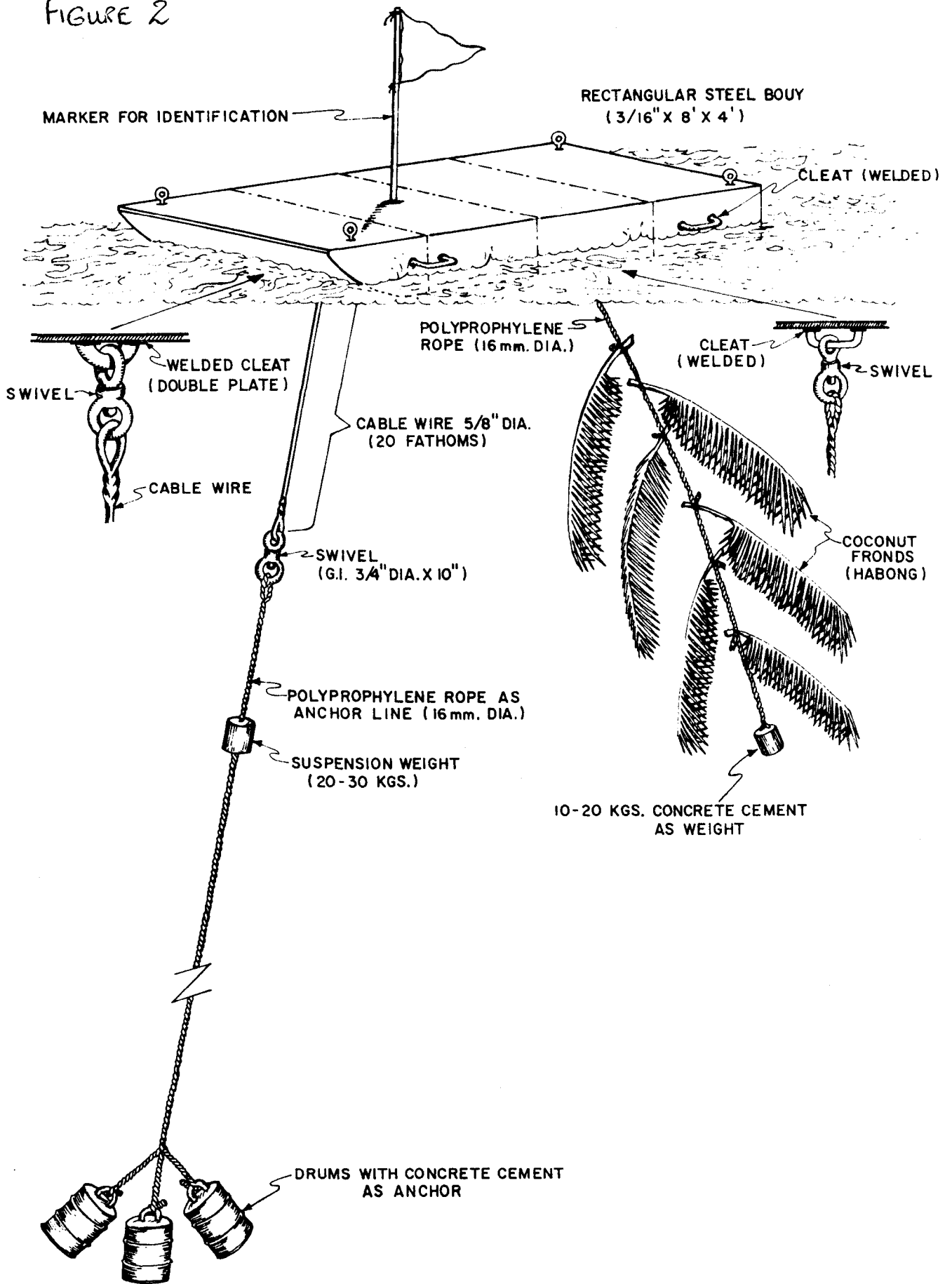


COUNTRY : PHILIPPINES

TYPE : BAMBOO RAFT

(source : de Jesus, A. S. 1982, Tuna fishing gears of the Philippines, South China Seas Fisheries Development and Coordinating Programme, Manila)

FIGURE 2

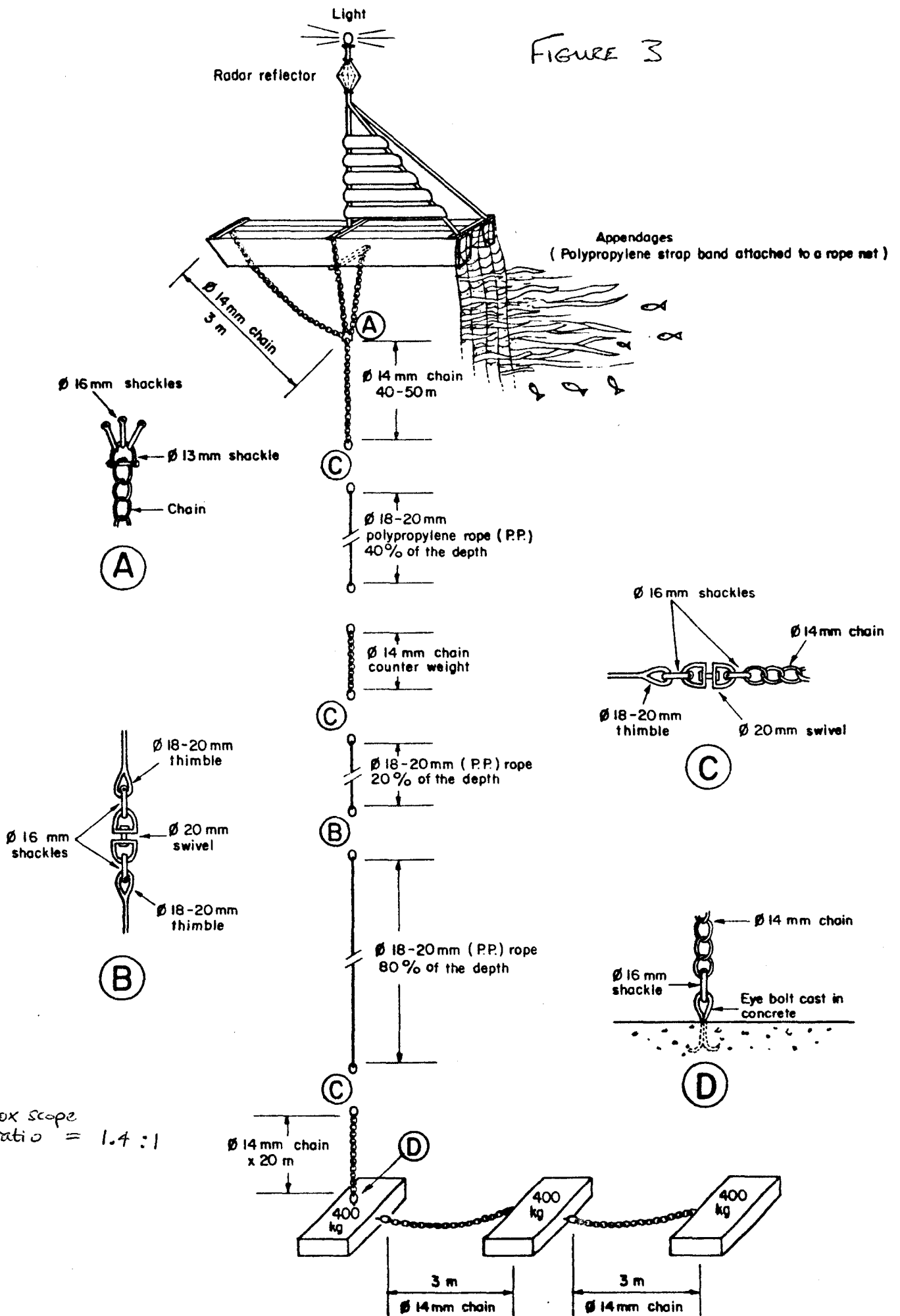


COUNTRY : PHILIPPINES

TYPE : RECTANGULAR STEEL PONTON

(source: de Jesus, A.S. 1982, Tuna fishing gears of the Philippines,
South China Seas Fisheries Development and Coordinating Programme, Manila)

FIGURE 3



Approx scope ratio = 1.4 : 1

PROPOSED F.A.O. DESIGN
 (Source : de San, M. 1982 FAD, fish aggregating devices or payaos : notes on construction, together with some criteria for placement and examples of utilization, Food and Agriculture Organisation of the United Nations, Rome).

FIGURE 4

COUNTRY : AMERICAN SAMOA (3RD GENERATION DESIGN)

SOURCE : FISHERIES DIVISION, AMERICAN SAMOA

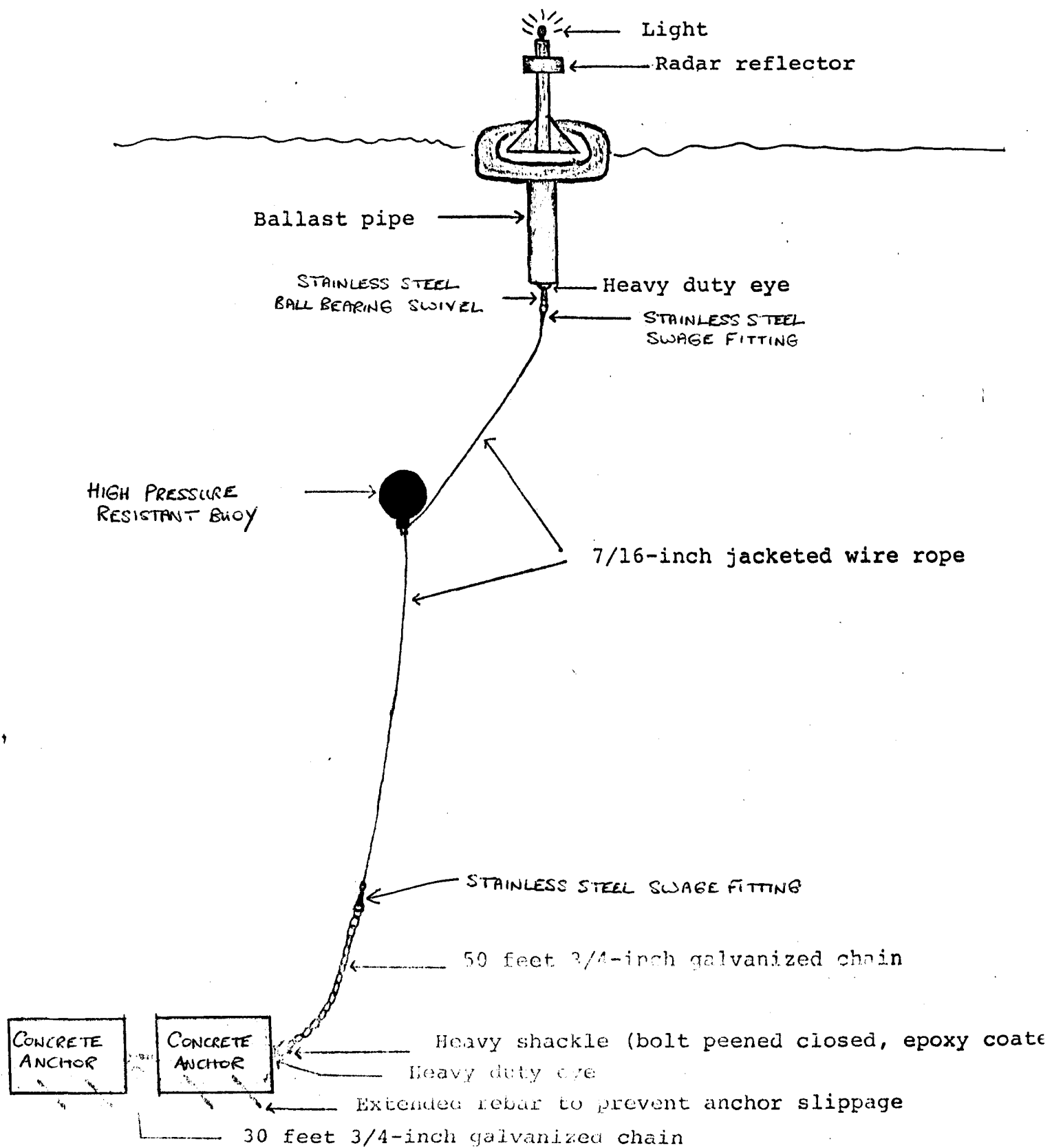


FIGURE 5

COUNTRY: WESTERN SAMOA
(Model currently being deployed)

SOURCE: FISHERIES DIVISION,
WESTERN SAMOA

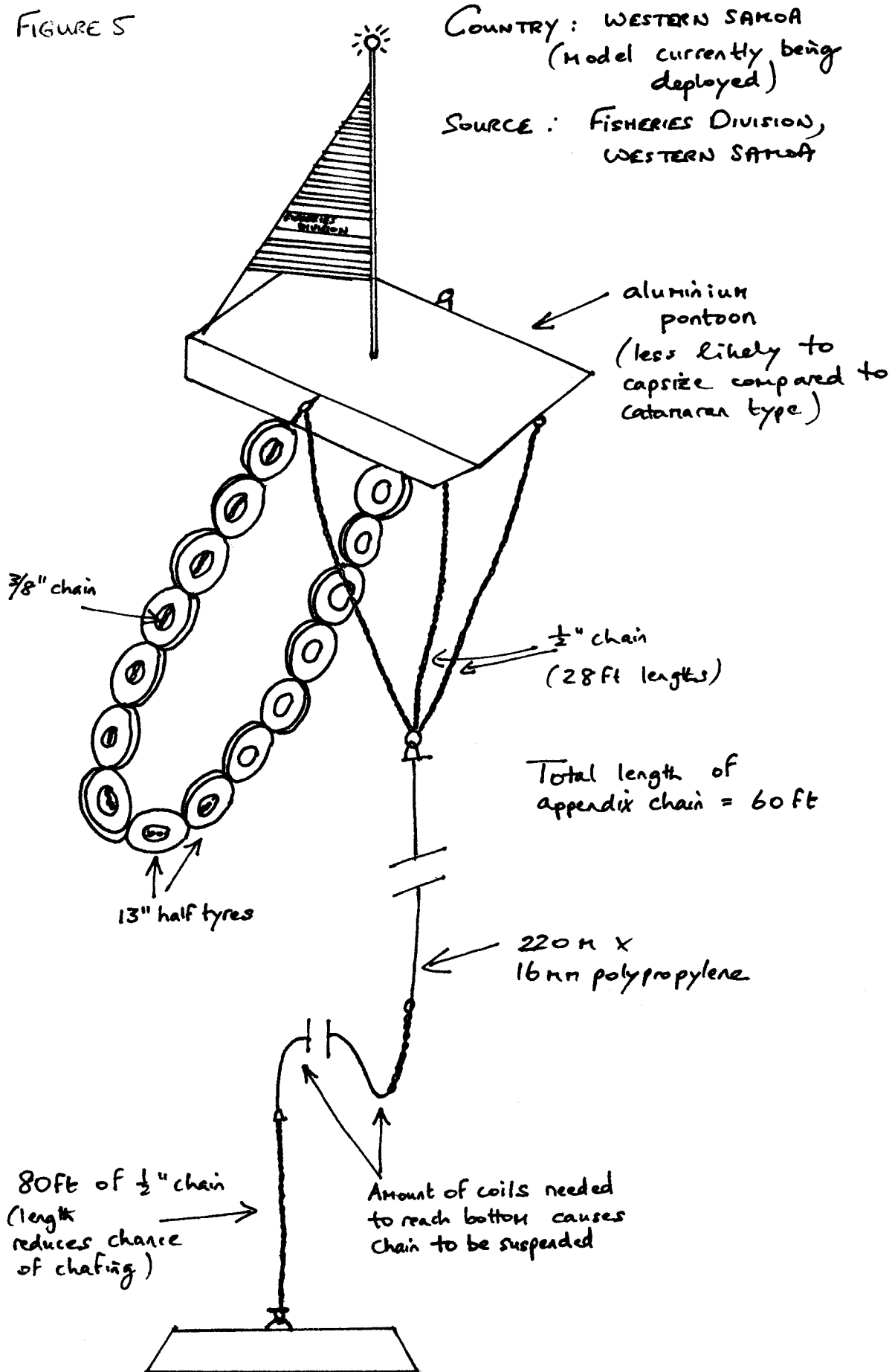
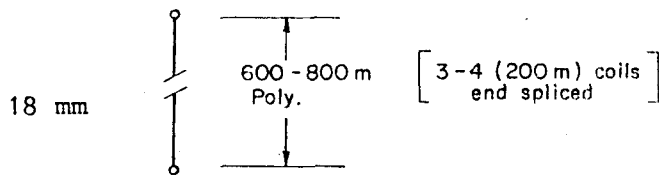
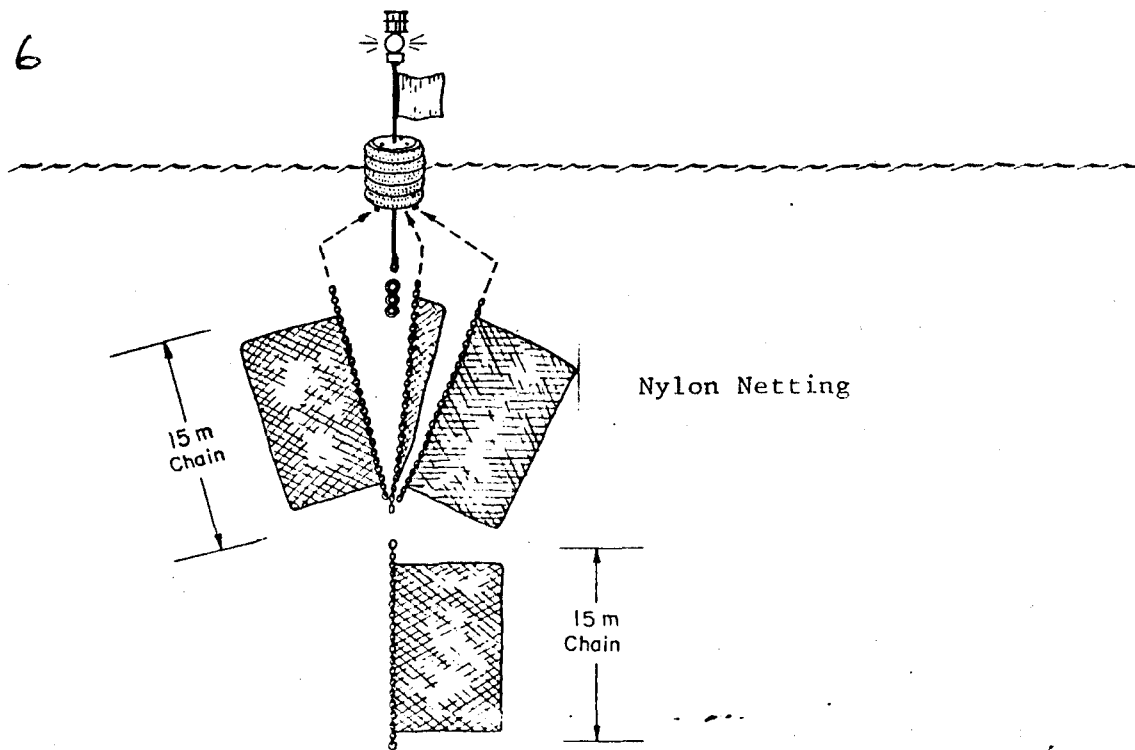
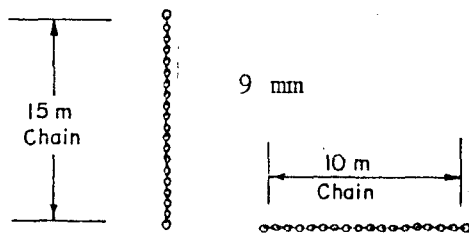
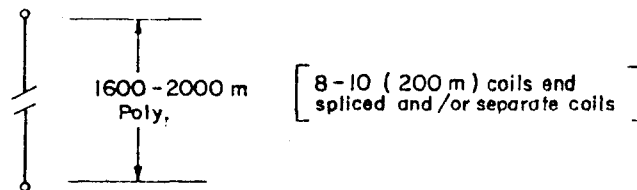


FIGURE 6



Note: Shackles and swivels between sections.



Note: Modified configuration utilizes 15 m chain sections below fad and attached to anchor.

BAY OF BENGAL PROGRAMME DESIGN
 COUNTRY : MAURITIUS
 SOURCE : BAY OF BENGAL PROGRAMME

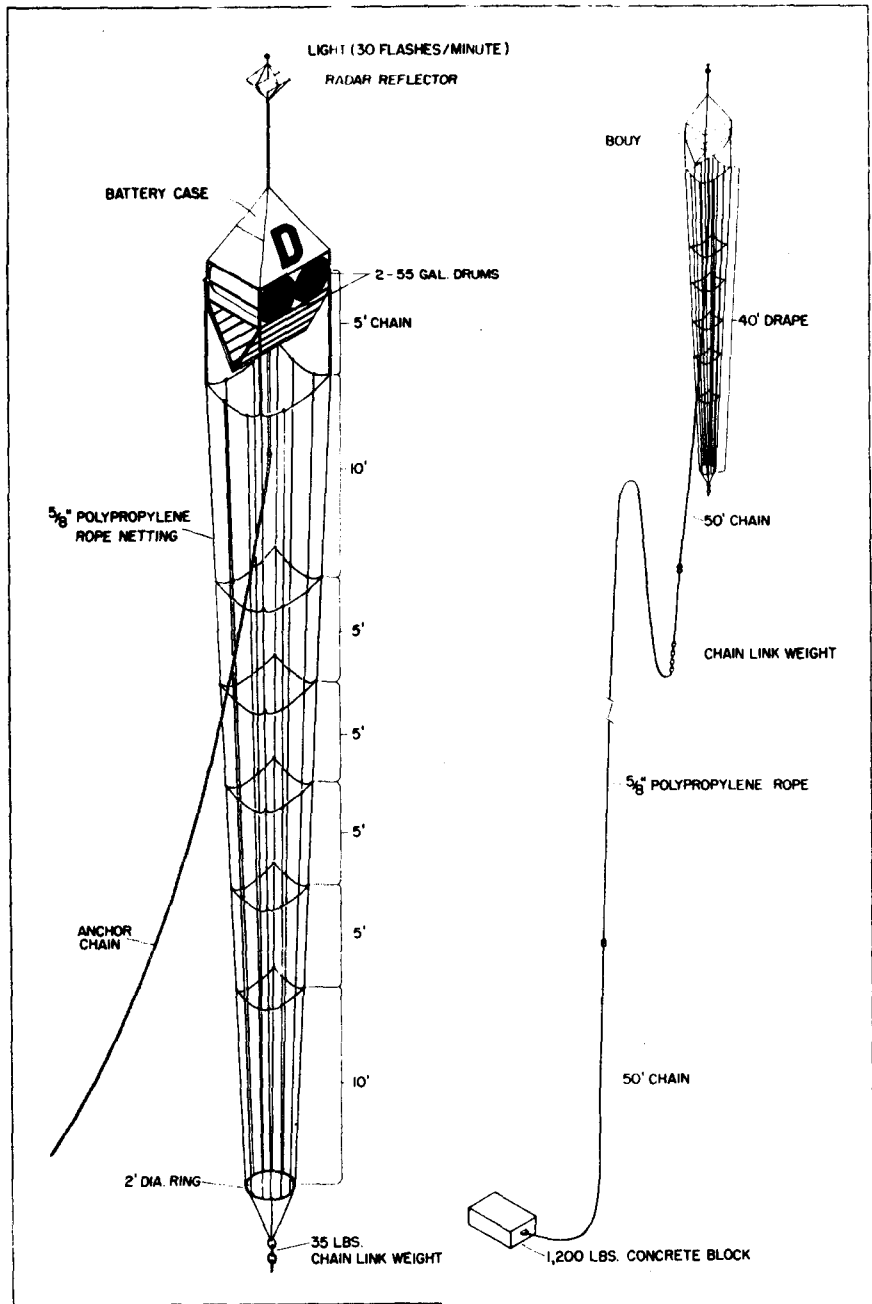
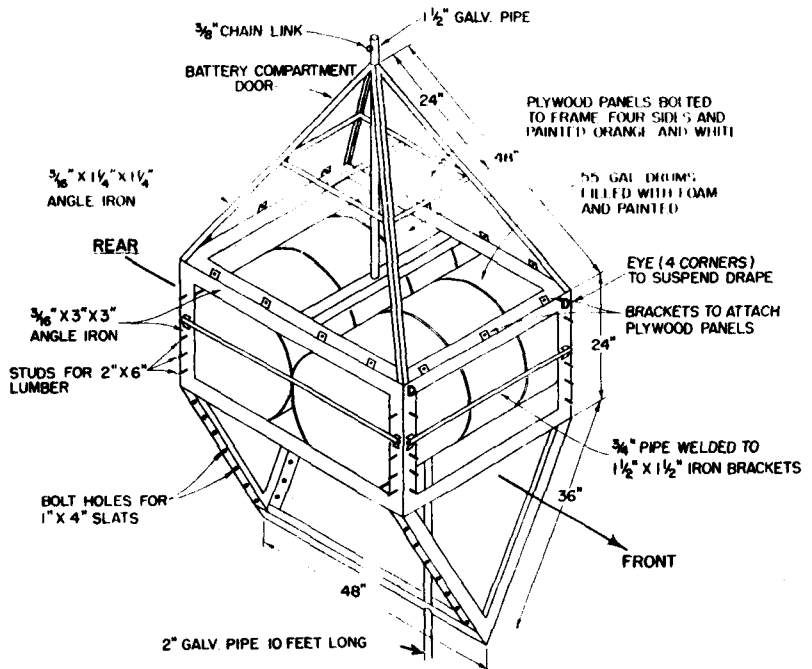


FIGURE 7

COUNTRY : PALAU, GUAM
 WESTERN AUSTRALIA,
 HAWAII

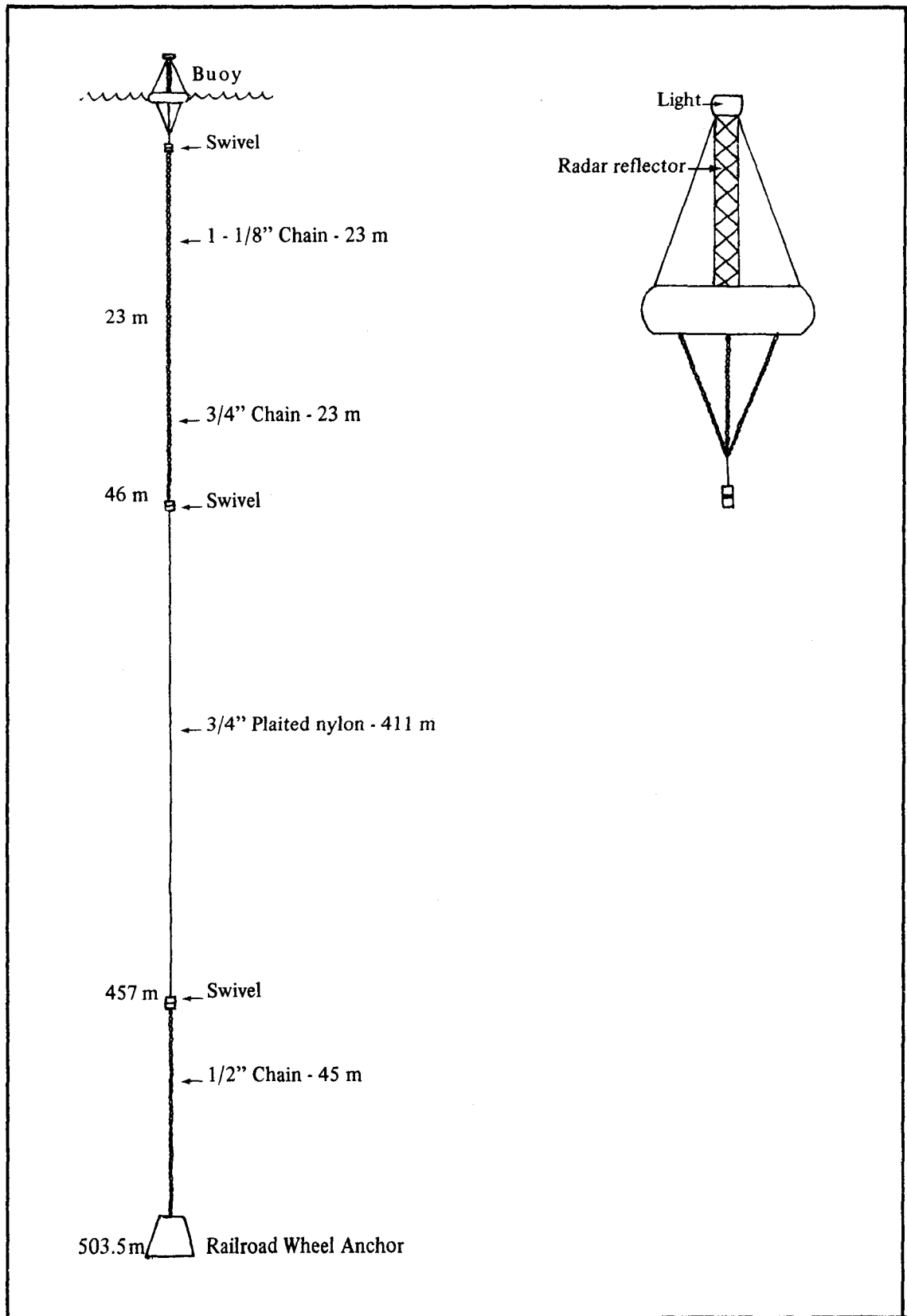
SOURCE : MATEUHOTO WM,
 TK KAZAMA AND D.A. HASTED

ANCHORED FISH AGGREGATION
DEVICES IN HAWAIIAN
WATERS MAR.FISH.REV.
 43(9) 1981



2" GALV PIPE 10 FEET LONG

FIGURE 8

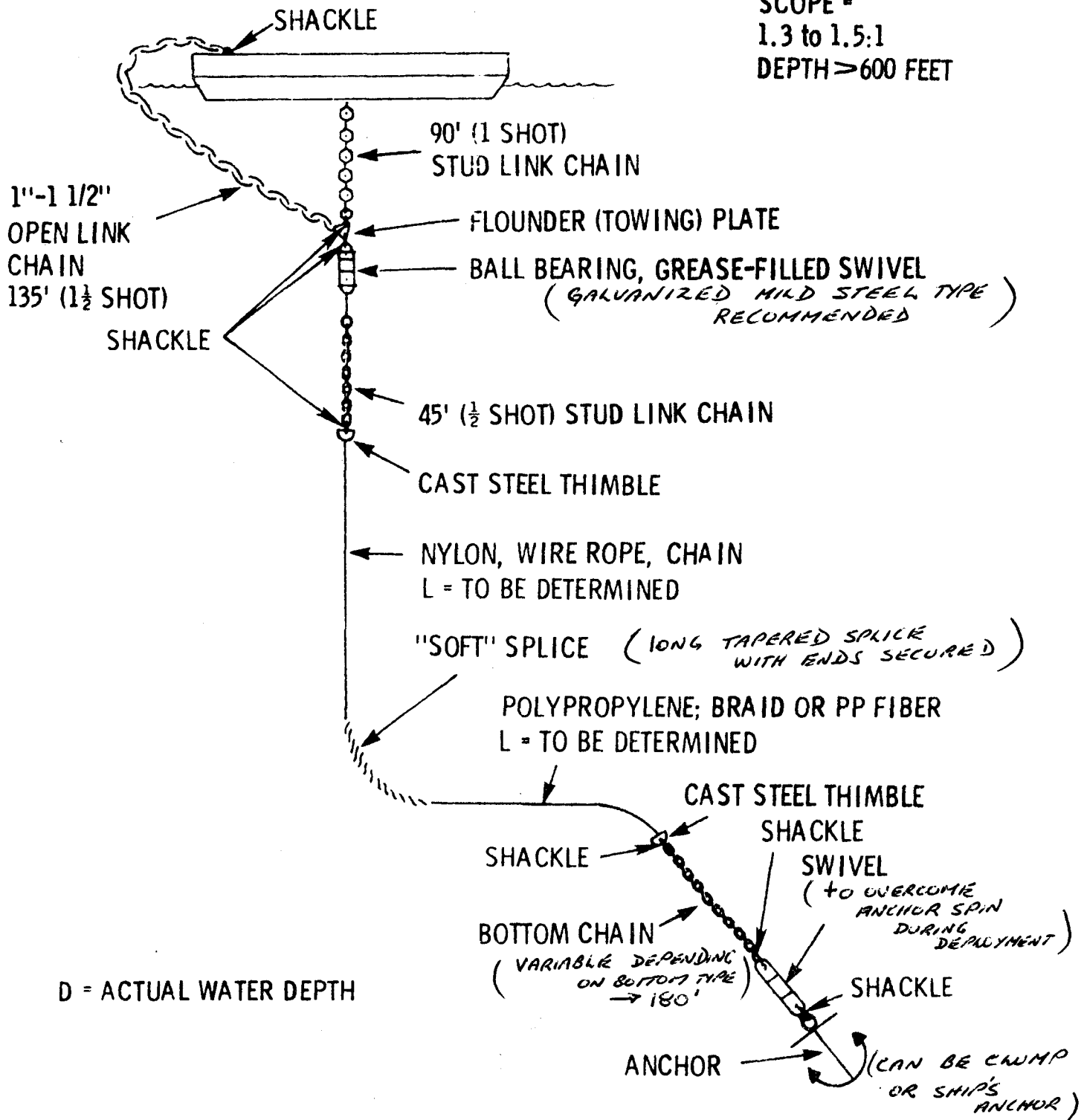


Suggested ideal mooring.

(SOURCE : NMFS WORKSHOP ON FAD'S, HAWAII, OCTOBER 1980)

FIGURE 9

DEEP WATER
ALL BUOYS
SCOPE =
1.3 to 1.5:1
DEPTH > 600 FEET



Proposed Deep-Water Mooring
for Discus and NOMAD Buoys

} NDBO BUOY MOORING
WORKSHOP 1978